



Features:

- ▶ ABS plastic moulding
- ▶ Apertures accepting a wide range of bus bar
- ▶ CTs are ultrasonically welded and unbreakable



Advantages:

- ▶ Easy bus bar mounting
- ▶ Highly cost effective
- ▶ Compact in size

Applications:

- ▶ Switchgear
- ▶ Distribution system
- ▶ Generator sets
- ▶ Control Panels
- ▶ Control Devices
- ▶ Overload protection

Input Specifications

Rated Primary Current 200A to 1600A
 Rated Secondary Output 5A

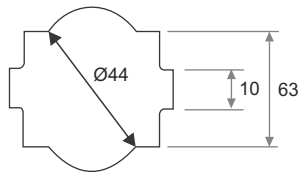
Technical Specifications

Rated Burden 1.5 VA , 2.5 VA , 5 VA, 10 VA, and 15 VA
 Class of Accuracy 1 and 0.5
 Over Load Withstand 1.2 times rated current for 1 sec
 Rated Dynamic Current 2.55x Ith
 Short Circuit Thermal Current Ith 60xIn (rated primary current for 1 sec)
 Insulation Class Class E
 Max. Operating Voltage 720 V maximum
 Insulation test voltage 3KV AC for 1 minute

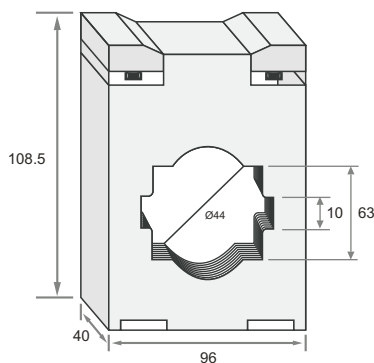
Environmental Specification

Operating Temperature -20C to 70C
 Storage Temperature 0 to 55C
 Humidity <95% RH (non-condensing)

Dimensions



Bus Bar Dimension : 63 x 10, Ø44



Outer Dimension : 96 (W) x 108.5 (H) x 40 (D)

Ordering Information

Primary Current	Class 1		Class 0.5	
	Burden (VA)	Ordering Code	Burden (VA)	Ordering Code
200	1.5	63104460.01	1.5	63104460.49
	2.5	63104460.02	2.5	63104460.50
250	1.5	63104460.03	1.5	63104460.51
	2.5	63104460.04	2.5	63104460.52
300	1.5	63104460.05	1.5	63104460.53
	2.5	63104460.06	2.5	63104460.54
	5	63104460.07	5	63104460.55
400	1.5	63104460.08	1.5	63104460.56
	2.5	63104460.09	2.5	63104460.57
	5	63104460.10	5	63104460.58
	10	63104460.11	10	63104460.59
500	1.5	63104460.12		
	2.5	63104460.13	2.5	63104460.60
	5	63104460.14	5	63104460.61
	10	63104460.15	10	63104460.62
600	15	63104460.16	15	63104460.63
	2.5	63104460.17	2.5	63104460.64
	5	63104460.18	5	63104460.65
750	10	63104460.19	10	63104460.66
	15	63104460.20	15	63104460.67
	2.5	63104460.21	2.5	63104460.68
	5	63104460.22	5	63104460.69
800	10	63104460.23	10	63104460.70
	15	63104460.24	15	63104460.71
	2.5	63104460.25	2.5	63104460.72
800	5	63104460.26	5	63104460.73
	10	63104460.27	10	63104460.74
	15	63104460.28	15	63104460.75
	5	63104460.30	5	63104460.76
1000	10	63104460.31	10	63104460.77
	15	63104460.32	15	63104460.78
	30	63104460.33	30	63104460.79
1200	5	63104460.34	5	63104460.80
	10	63104460.35	10	63104460.81
	15	63104460.36	15	63104460.82
1250	30	63104460.37	30	63104460.83
	5	63104460.38	5	63104460.84
	10	63104460.39	10	63104460.85
1250	15	63104460.40	15	63104460.86
	30	63104460.41	30	63104460.87
	5	63104460.42	5	63104460.88
1500	10	63104460.43	10	63104460.89
	15	63104460.43	15	63104460.90
	30	63104460.44	30	63104460.91
1600	5	63104460.45	5	63104460.92
	10	63104460.46	10	63104460.93
	15	63104460.47	15	63104460.94
	30	63104460.48	30	63104460.95