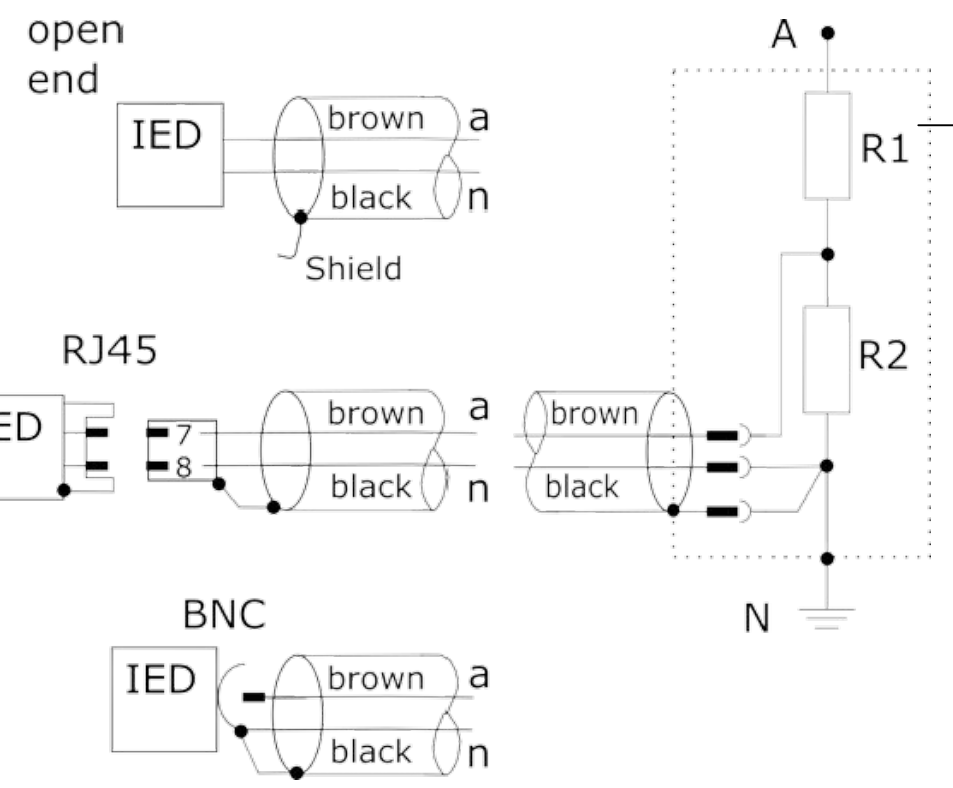
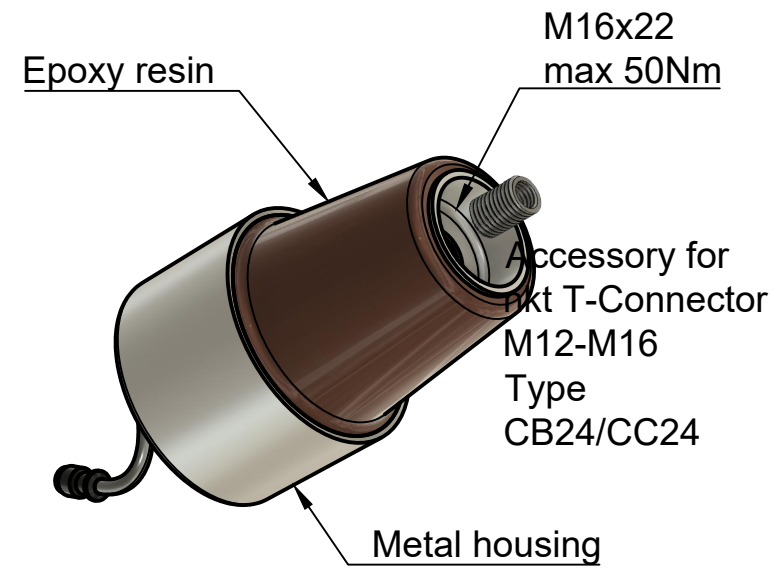


M8 Ground terminal  
Metal hexabolt  
max 20Nm

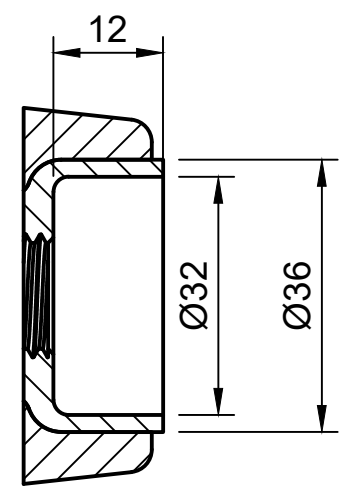
Suitable T-Connectors


Manufacturer	Connection	Type
Nexans	T-connector	(K)430TB
	Surge arrester	300SA (max 10-24N)
	Coupling connector	(K)300PBM
Südkabel	T-connector	SET24, SAT24
	Surge arrester	MUT 23, MUT 23.1
	Coupling connector	SEHDK 23.1
Tyco	T-connector	RSTI-58xx
	Surge arrester	RSTI-58SA
	Coupling connector	RSTI-CC-58xx
NKT	T-connector	CB24-xxx
	Surge arrester	CSA Mxx
	Coupling connector	CC24-xxx



Standard; IEC 61869-1, IEC 61869-6, IEC 61869-11  
 Insulation level; 12/28/75kV or 17,5/38/95kV or 24/50/125kV  
 Primary voltage; max.  $20/\sqrt{3}$ kV  
 Secondary voltage;  $3,25/\sqrt{3}$ V\*  
 Frequency; 50/60Hz  
 Harmonics; Up to 150kHz on request  
 Burden; 200kΩ // 350pF or 2MΩ // 50pF\*  
 Accuracy class 1; 0,2/0,5 and 3P/6P @-25°C to 70°C  
 Accuracy class 2; 1 and 3P/6P @-40°C to 80°C  
 Storage temperature range; -40°C to 80°C  
 \*... or customer defined

A-A (1:1)



Dept. GWP	Technical reference	Created by Martin Bakaracs 24.07.2023	Approved by Michael Waschek 24.07.2023
 A3/1:1	Document type Drawing	Document status released	
	Title	DWG No. VxxxK-xx	
Rev.	Date of issue	Sheet 1/1	