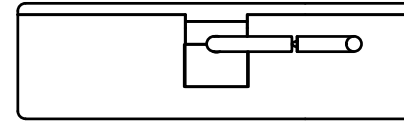


Installation
- Around bushings

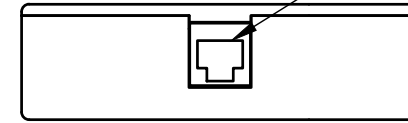
Standard: IEC 61869-1, IEC 61869-6, IEC 61869-10
 Isolation level: 0,72kV/3kV/-
 Rated current : 300A *
 Temperature range: -25 to 80°C
 Frequency: 50/60Hz
 Accuracy class: 0.2S / 0.2 / 0.5S / 0.5 / 1 / 3 and 5P5/5P10
 Extension: 200% *
 Secondary output: 225mV *
 Burden: ≥10kΩ
 Storage temeratur range: -40 to 80°C
 Ith: 25kA 1sec.
 *... or customer defined

Cable Version



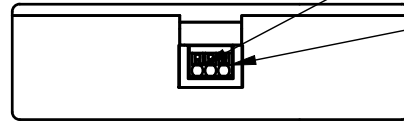
Cable length: custom defined
 Termination: open ends
 Standard: Shield and S2 connected
 Option: Shield and S2 disconnected

RJ45 Version

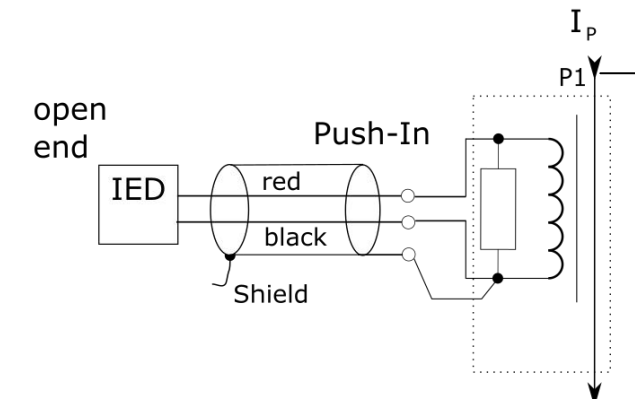
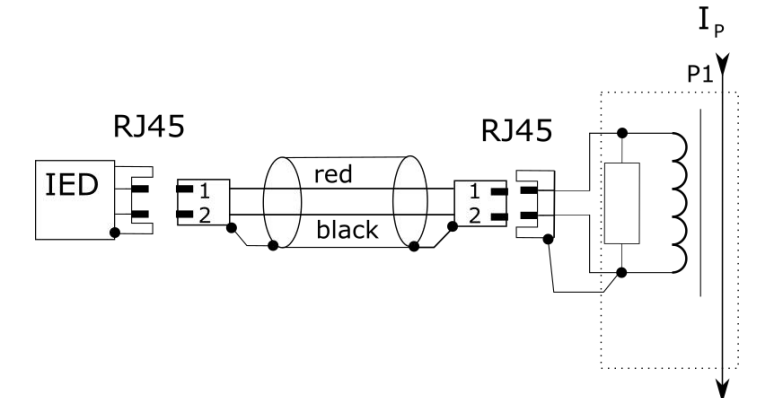
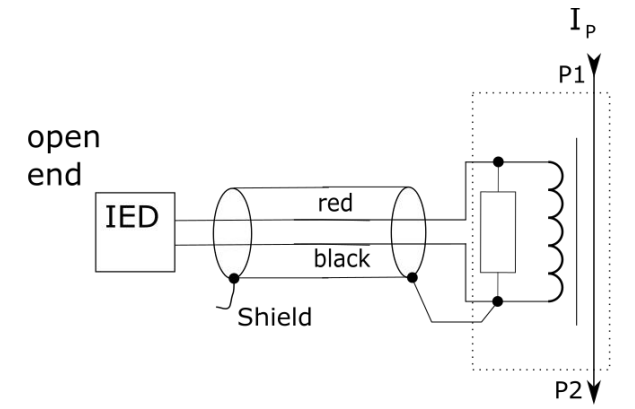


Pin1: S1 acc IEC 61869-6
 Pin2: S2 acc IEC 61869-6

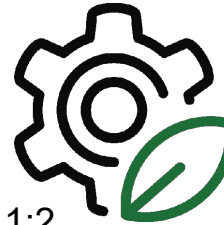
Push-In



Terminal 1: shield
 Terminal 2: S2
 Terminal 3: S1



Shield and S2 connected or open

Dept. GWP	Technical reference	Created by Martin Bakaracs 22.12.2022	Approved by
 A3 / 1:2	Document type Drawing	Document status releasec	
	Title Indoor Current Ring Sensor	DWG No. ExxxR-xx	
	Rev. 0	Date of issue	Sheet 1/1